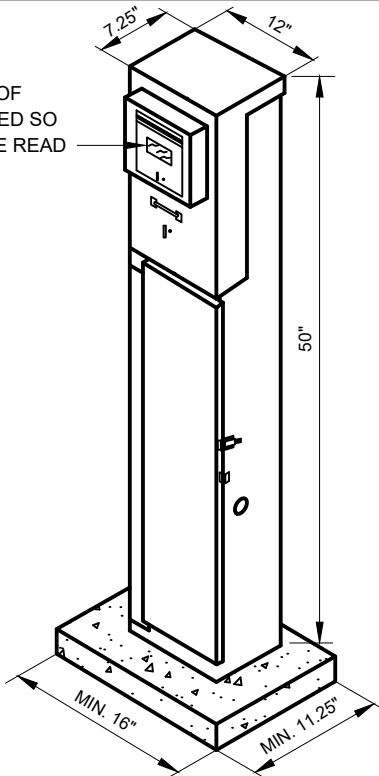
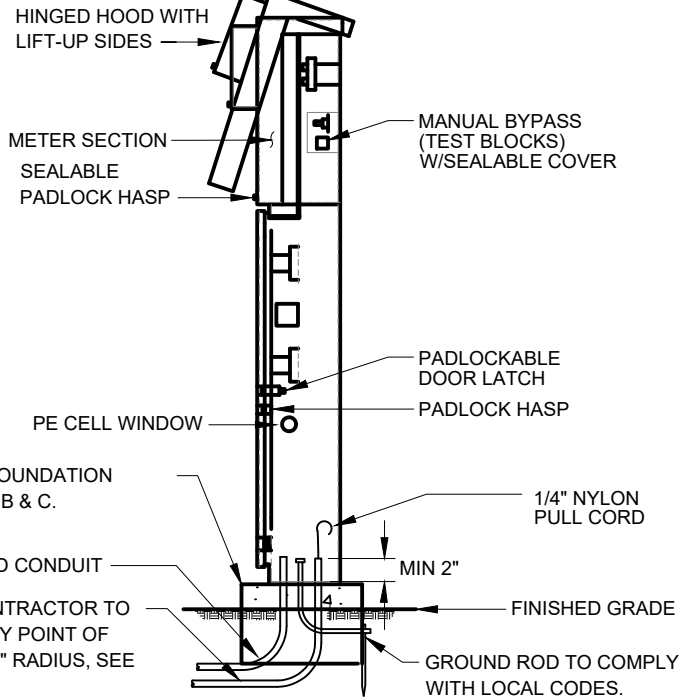


SHATTERPROOF
GLASS LOCATED SO
METER CAN BE READ

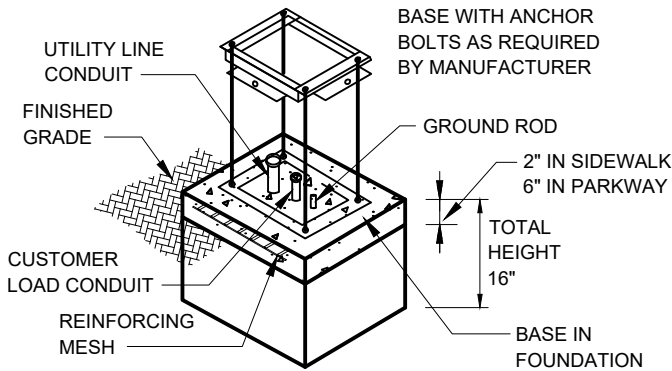


ORNAMENTAL HOUSING

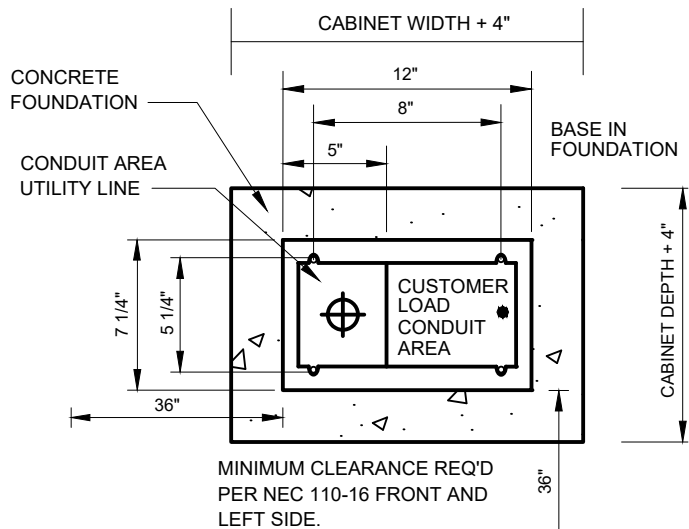
(SEE NOTE 1)



SIDE VIEW



FINISHED FOUNDATION



PLAN VIEW

NOTES:

1. ORNAMENTAL HOUSING 12" WIDE, 7.25" DEEP, 50" HIGH (TYPICAL INSTALLATION). MYERS ELECTRICAL PRODUCTS MODEL MEUG3A-1250 (100A), OR MEUG3A-2048 (200A) SAFETY SOCKET ENCLOSURE TYPE 3R RAINPROOF VOLTAGE 120/240V 1Ø 3 WIRE OR BWP APPROVED EQUIVALENT. COLOR TO BE GRAY.
2. CONTACT BURBANK WATER AND POWER ELECTRIC SERVICES AT (818) 238-3575 FOR SERVICE CONFIRMATION AND EXACT LOCATION OF PEDESTAL AND CONDUITS PRIOR TO INSTALLATION.
3. FOUNDATION TO EXTEND PAST CABINET 2" ON ALL SIDES, #10 GA WIRE MESH REINFORCEMENT TO BE PLACED INTO FOUNDATION.
4. FOR NON-METERED CITY SERVICES CONTRACTOR TO PROVIDE METER SOCKET JUMPER COVER, U.L. LISTED.
5. FOR STREETLIGHT SERVICES CONTRACTOR TO PROVIDE SAFETY SOCKET ENCLOSURE WITH FACTORY CUT PLEXIGLASS PHOTOCELL WINDOWS, NEMA 7-PIN PHOTOCELL RECEPTACLE, AND CONTACTORS IN THE LOAD SIDE COMPARTMENT.
6. FOR METERED SERVICES CABINET MUST COMPLY WITH EUSERC, INCLUDING DWG 308. SUBMIT CABINET DRAWINGS TO BWP FOR PRE-APPROVAL PRIOR TO ORDERING.

| No. | REVISIONS | BY | APPR'V'D | DATE |
|-----|---|-------|----------|---------|
| E | STANDARDIZED FORMATTING | MEP | CJC | 5/9/23 |
| D | CHANGE MODEL TO III-AF | GN | CC | 7/24/19 |
| C | UPDATED SPECS AND RENAME. | SP/SK | CC | 6/17/19 |
| B | CONVERTED TO DIGITAL FORMAT. CLARIFIED NOTES. | RS | | 3/2/06 |



BURBANK WATER AND POWER – ELECTRIC SERVICES

UNDERGROUND SERVICE PEDESTAL REQUIREMENTS

DRAWING No. S-459E

Sheet 1 of 1